

Self-Inking Stamp



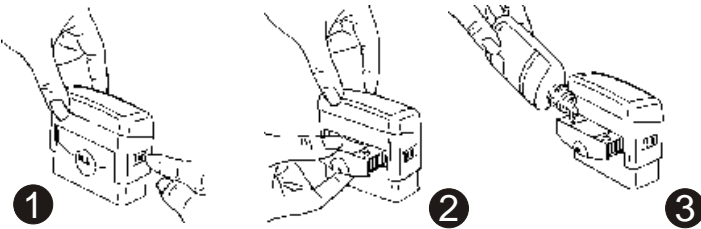
How to re-ink your Self-Inking Rubber Stamps

1. Push stamp down and lock into place.
2. Pull out inkwell or stamp pad.
3. Place a thin layer of ink across the surface of the stamp pad. For Ideal, place 10 drops of ink into each inkwell slot
4. Allow 15 minutes to fully saturate.
5. Repeat again if necessary.

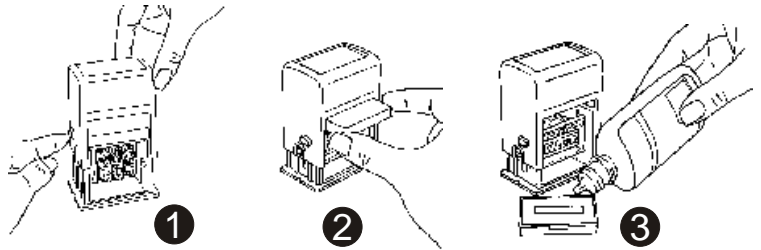
Refill Only With Same Color Ink As Your Original stamp.

RE-INKING INSTRUCTIONS

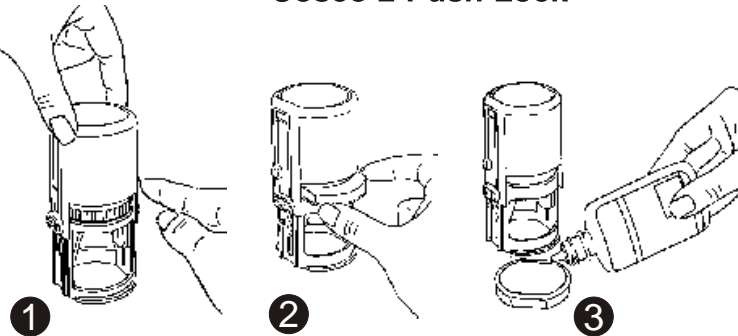
**Ideal has one slide lock (as pictured below)
Cosco has two push locks (one on each side)**



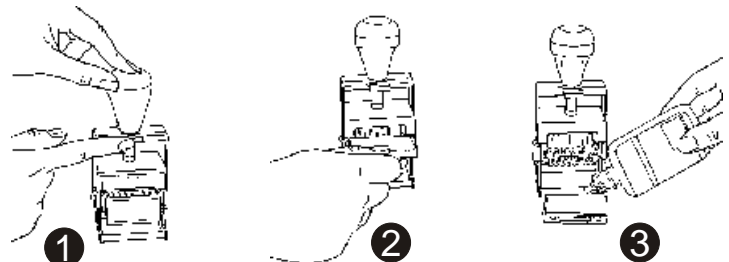
**STOCK PLASTIC DATER: Ideal 1 Slide Lock
Cosco 2 Push Lock**



**Round Stamps: Ideal 1 Slide Lock
Cosco 2 Push Lock**



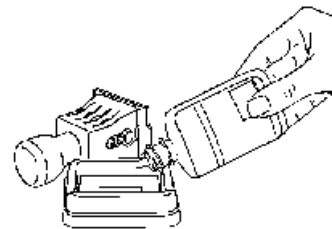
STOCK HEAVY DUTY DATER, MESSAGE & NUMBER STAMPS
Trodat Lock Buttons on each side. All others one lock button on front just below handle.



CUSTOM TRADITIONAL DATE STAMP

1. Remove stamp from dish.
2. Place a thin layer of ink across the surface of the stamp pad.
4. Allow 15 minutes to fully saturate.
5. Repeat again if necessary.

REFILL WITH THE SAME COLOR INK AS YOUR ORIGINAL STAMP.



We recommend using Ideal Refill Ink for all brands of self-inkers (Do not use in PSI or Pre-inkers)